

# EURO PRO-FIT (NON BS) MORTICE LOCK RANGE

The **ERA Euro Pro-Fit** offers total versatility allowing for most Euro Profile locking cylinders. Available as both Sashlock and Deadlock.

They are ideal for replacing most existing door locks with minimal change to existing fittings. The lock has hardened steel rollers in the bolt to resist hacksawing.

The **Euro Pro-Fit Sashlock** features an easily reversible latch bolt, making the lock suitable for left or right hinged doors.

Rebate Sets for the Euro Pro-Fit Range are available separately.

Oval Cylinder versions are also available.

## ORDERING DETAILS

### Deadlock

Brass Effect 64mm (2½")	<b>225-31</b>
Satin 64mm (2½")	<b>225-51</b>
Brass Effect 76mm (3")	<b>325-31</b>
Satin 76mm (3")	<b>325-51</b>

### Sashlock

Brass Effect 64mm (2½")	<b>226-31</b>
Satin 64mm (2½")	<b>226-51</b>
Brass Effect 76mm (3")	<b>326-31</b>
Satin 76mm (3")	<b>326-51</b>

The above products are also available Clam-Packed.

### Deadlock Rebate Sets

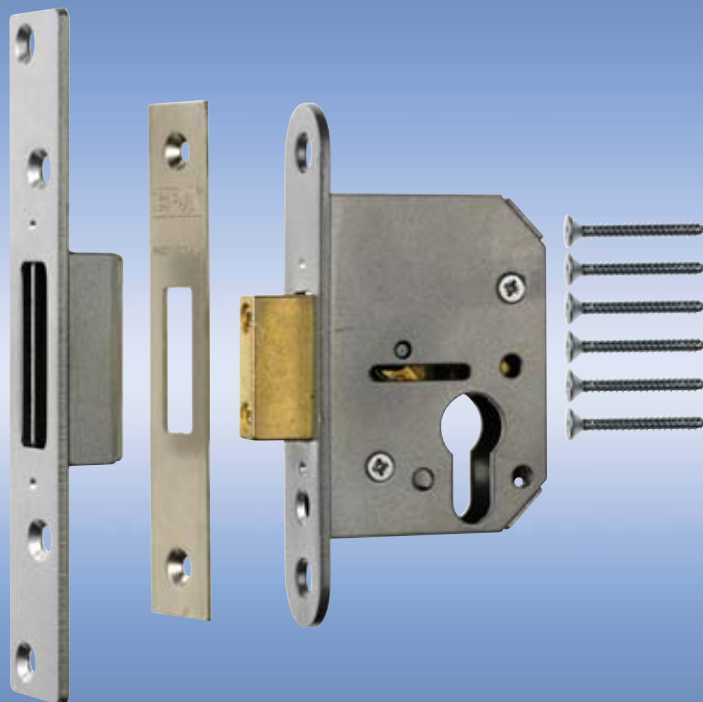
Brass Effect 12.7mm (½") Rebate	<b>434-31</b>
Satin 12.7mm (½") Rebate	<b>434-51</b>
Brass Effect 25.4mm (1") Rebate	<b>435-31</b>
Satin 25.4mm (1") Rebate	<b>435-51</b>

### Sashlock Rebate Sets

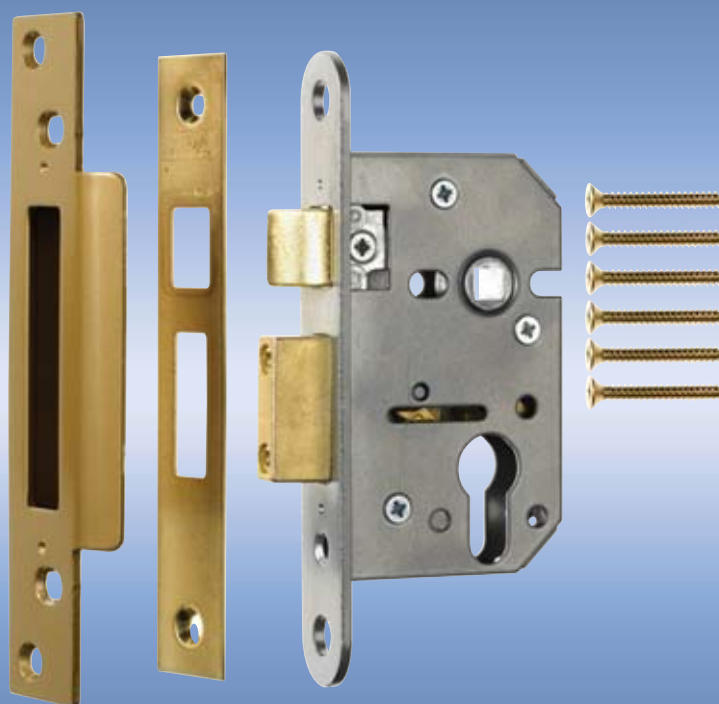
Brass Effect 12.7mm (½") Rebate	<b>436-31</b>
Satin 12.7mm (½") Rebate	<b>436-51</b>
Brass Effect 25.4mm (1") Rebate	<b>437-31</b>
Satin 25.4mm (1") Rebate	<b>437-51</b>

### Euro Profile Cylinders

See Cylinders section for more details

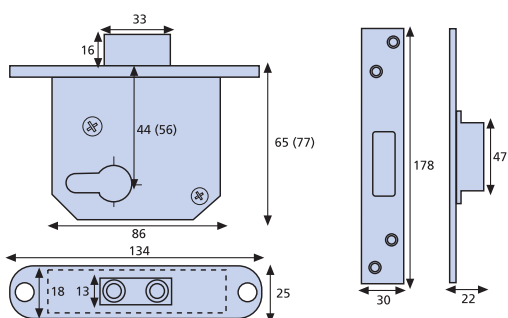


EURO PRO-FIT (NON BS) DEADLOCK

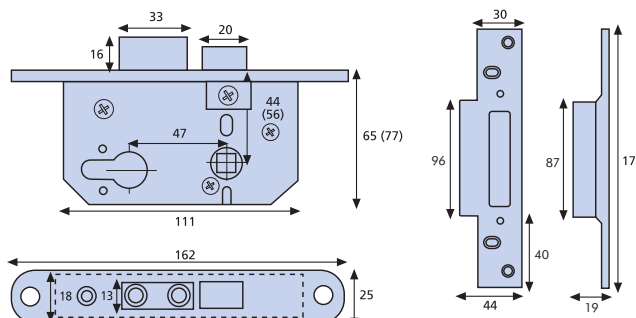


EURO PRO-FIT (NON BS) SASHLOCK

Deadlock



Sashlock



All dimensions in mm. Numbers in brackets relate to 3" version of lock