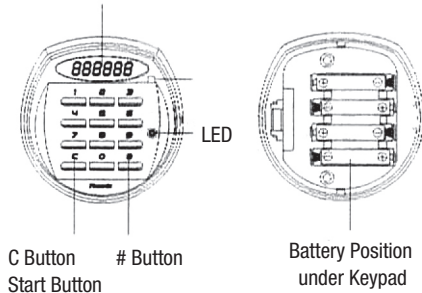


## Battery Installation – 4 x LR03 AAA Alkaline (supplied)

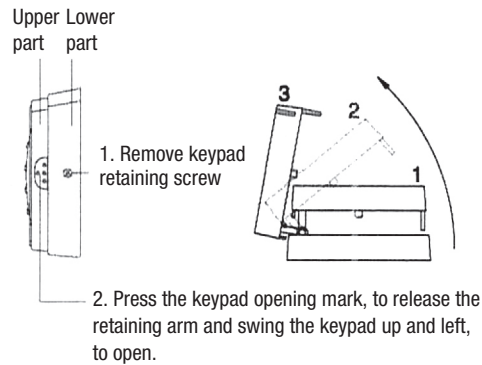
Keypad and LCD Display Window



C Button # Button  
Start Button

Battery Position  
under Keypad

## Opening Battery Compartment



Upper part  
Lower part

1. Remove keypad retaining screw

2. Press the keypad opening mark, to release the retaining arm and swing the keypad up and left, to open.

## 1. First Opening on Factory Default Code

- Step 1 Press 'C' button
- Step 2 Press factory code ' 1 2 3 4 5 6 '
- Step 3 Press '#' button, a melodic tone will sound and the display confirms OPEnD
- Step 4 Turn Knob or Handle clockwise and open the door while the tone is sounding

### Caution

If an incorrect code is entered, Error will appear in the display panel and a short warning tone will sound.

If an incorrect code is entered five times the lock will cease to operate for five minutes, a warning tone will sound and the display will indicate dELAY



## 2. Setting a New Personal Code.

It is advisable to set a new code with the door open and test the new code before closing the door.

- Step 1 Press '#' button
- Step 2 Enter the Present Code.
- Step 3 Press '#' button.
- Step 4 Enter New 4~16 digit Code.
- Step 5 Press '#' button.

### For Example:

If the present code is 1 2 3 4 5 6 and a new four digit code is decided as 4 2 4 2 press buttons as below.

# 1 2 3 4 5 6 # 4 2 4 2 #

EnTErd will be indicated in the display and a short 3 second tone will sound to confirm the change to 4 2 4 2



## 3. Setting the dual control function where two operators with individual personal codes are required to open the lock.

With the door in the open position set the second code.

- Step 1 Press the "M" memory button recessed into the back of the door.
  - Step 2 Press '2' button
  - Step 3 Press '#' button
  - Step 4 Enter 2nd Personal code
  - Step 5 Press '#' button
- EnTErd will be indicated in the display and a short 3 second tone will sound, to confirm the 2nd code entry.

### For Example:

If the present code is 4 2 4 2 and a second new four digit code is decided as 6 7 8 9 press buttons as below. EnTErd will appear in the display accompanied by a short tone to confirm M 2 # 6 7 8 9 #



## 4. To Activate Dual Control

- Step 1 Press the "M" memory button recessed into the back of the door.
- Step 2 Press '9' button
- Step 3 Press '#' button

## 5. To operate with the dual control function

- Step 1 Press C button **dual** will appear in the display.
  - Step 2 Enter the first code 4 2 4 2
  - Step 3 Press '#' button. a short 3 second tone will sound to confirm correct code
  - Step 4 Within 5 minutes enter the second code 6 7 8 9
  - Step 5 Press '#' button. a short 3 second tone will sound to confirm correct code and OPEnD will appear in the display and the lock will be open.
- Either code can be entered first or second.**



# Advanced Phoenix Digital Lock R3

## 6. To deactivate dual control

- Step 1** Press the "M" memory button recessed into the back of the door.  
**Step 2** Press '9' button  
**Step 3** Press '#' button a short 3 second tone will sound to confirm deactivation and SinGLE will appear in the display. The second code will be automatically erased.

## 7. To hide code in the display and turnoff keypad sound.

- Activate - Press the "M" memory button recessed into the back of the door → **7** → **#** (HiDE appears in the display)  
Deactivate - Press the "M" memory button recessed into the back of the door → **7** → **#**

## 8. To hide code entry in a number sequence.

**The code can be disguised by inserting random numbers either before, after or both before and after, the personal code. This procedure is designed to increase security and to confuse a potential observer attempting to memorise the code. This feature can be also be used with hidden code display and silent keypad as at 7 above.**

For Example

Personal code is set as 4 2 4 2 Random prefix numbers 61 Random suffix numbers 91507

- Step 1** Press C button  
**Step 2** Enter Code as 61 **4 2 4 2** 91507  
**Step 3** Press '#' button  
The display will confirm OPEnd

## 9. Alarm setting

- Activate - Press the "M" memory button recessed into the back of the door → **8** → **#** (ALeRT appears in the display)  
Deactivate  
**Step 1** Press 'C' button  
**Step 2** Enter Personal Code  
**Step 3** Press '#' button a short 3 second tone will sound to confirm deactivation and OPEnd will appear in the display

## 10. Battery Life: 1 year 3 times a day. Battery replacement is required when:

- 1) LObAtt appears in display accompanied by a short one second warning tone.
- 2) Correct code is entered but lock will not open.
- 3) Even if batteries are completely exhausted, the codes are not lost.

## Batteries

4 x 1.5 V AAA Alkaline Batteries are required to activate the lock. Used batteries should not be disposed of with normal domestic waste. These should be disposed of at approved collection points. You may also return used batteries to your Retailer at their expense (where applicable).

