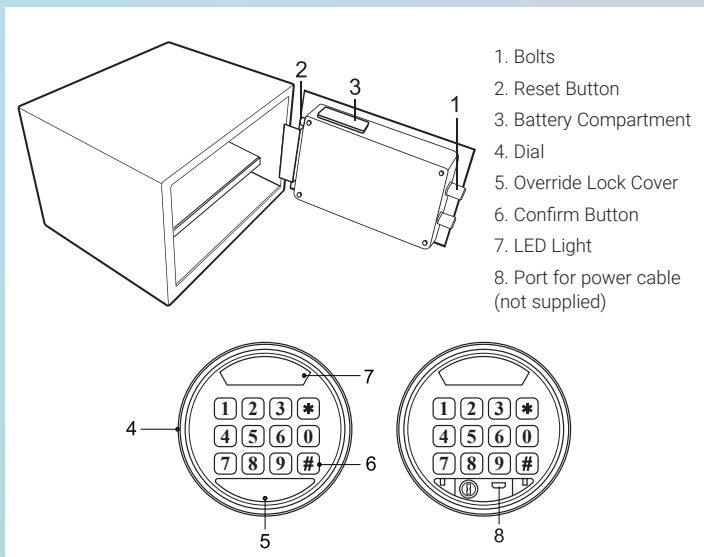


Please do not keep the override keys inside your safe!

Thank you for choosing our product! Every series of our safes is professionally made and designed to provide safety. Please take time to read and familiarise yourself with the operating instructions.

MAIN COMPONENTS



OPENING THE SAFE FOR THE FIRST TIME

- Press either end of the override lock cover to remove.
- Insert the override key, and turn anticlockwise.
- While holding the key in this unlock position, turn the dial on the outside of the keypad clockwise, retracting the bolts. The door can now be opened.

POWER SUPPLY

- Open the door.
- Slide the battery compartment cover off and take out the battery compartment.
- Insert 4 x 1.5v AA Alkaline batteries (batteries not supplied), lining them up as indicated by the "+" and "-" signs on the back of the casing.

! CAUTION: The red light indicates low power, and that it is time to change the batteries. If the battery power is depleted, a cable with a micro USB connector can be used to attach to an external power source (cable not supplied).

UNLOCK THE SAFE

- Input the user code (factory user code "1234") or master code (factory master code "19980818") then press "#", the yellow light will flash twice with two beeps followed by a green flash.
- Turn the dial clockwise, the door is now open.
- If the code is entered incorrectly, the yellow light will flash three times with three beeps.

! CAUTION: If 3 invalid codes are entered in succession, it will beep for 20 seconds. If an incorrect code is entered a further 3 times the keypad will continue to beep for a further 5 minutes.

SETTING THE USER CODE

- With the door open, press the reset button once. The yellow light will flash twice with two beeps.
- Input the new user code (3-8 digits), then press "#" button to confirm.
- If the yellow light flashes twice with two beeps, the user code has been

successfully entered.

- If the yellow light flashes three times with three beeps, the set up of the user code has not been successful. Repeat the setup process.
- Test the new user code before closing and locking the safe.

SETTING THE MASTER CODE

- With the door open, press "0" twice followed by the reset button once. The yellow light will flash twice with two beeps.
- Enter your new master code (3-8 digits), then press "#" button to confirm.
- If the yellow light flashes twice with two beeps the master code has been successfully entered.
- If the yellow light flashes three times with three beeps the set up of the master code has not been successful. Repeat the setup process.

! CAUTION: If the setup is interrupted with no action for over 8 seconds, the setup mode will be exited, and the new code not accepted.

SILENT MODE

- To enable silent mode
Press "1" and "#", the yellow light will flash twice which means the silent mode is on.
- To disable silent mode
Press "1" and "#", the yellow light will flash twice with two beeps which means the silent mode is off.

! CAUTION: This feature will mute the key press beeps and the indicator sound of operation.

SYSTEM RESET

Press the reset button and hold for 5 seconds until you hear two beeps. The safe is now set back to the factory codes - user "1234" and master "19980818".

IMPORTANT NOTES

- Do not use liquid or a spray to clean the safe. Use a wet cloth only.
- Do not place the product in an insecure and elevated place, as it may fall and damage the product or cause injury.

MOUNTING METHOD

Select a stable, dry and secure location that does not restrict the swing of the door.

If bolting to a solid wall, make sure that your safe is resting on a supporting surface (such as the floor or a shelf). Do not bolt your safe to both the floor and wall.

1. Place the safe into the chosen location. Use a pencil to mark the mounting holes on the floor or wall (the internal covering will need to be pierced to access the fixing holes).
2. Move the safe and drill 50mm deep mounting holes using a 10mm drill bit, and insert the plastic expansion sleeves.
3. Move the safe back into position, align the mounting holes to the openings in the safe. Insert the bolts and tighten them securely.

