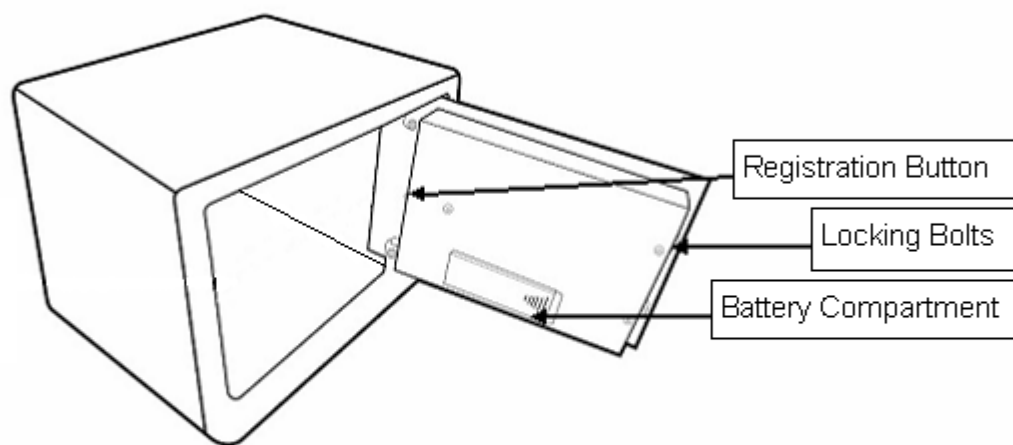


# FINGERPRINT LOCK SAFE

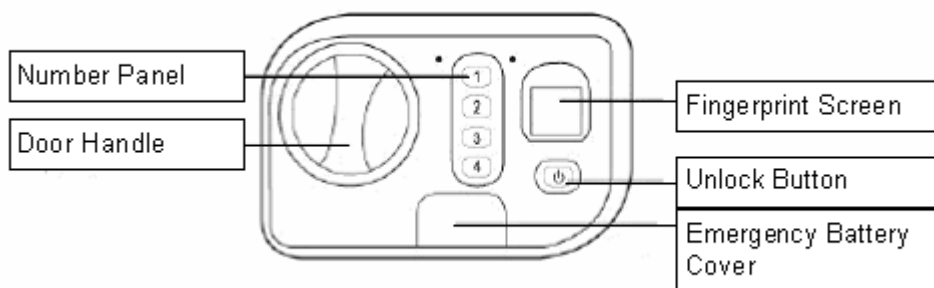
## (FPN SERIES)

**NOTE: Please do not keep the emergency keys in your safe**

Schematic drawing of case



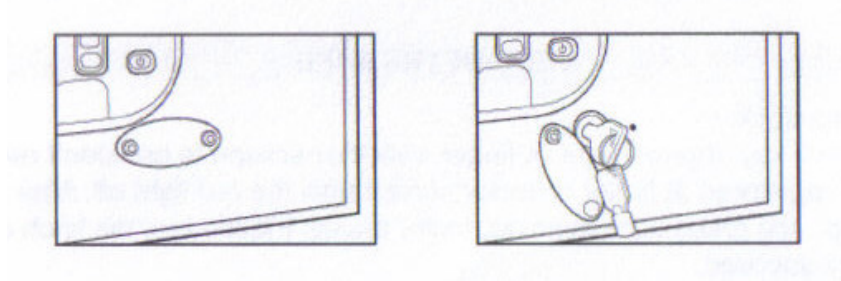
Schematic drawing of control panel



## OPENING YOUR SAFE FOR THE FIRST TIME - USING EMERGENCY KEY

When opening the safe for the first time, please use the Emergency Over-Ride Key provided. To operate the Emergency Key, you will first need to remove the brass plate on the front of the safe using the allen key provided. Next, you will need to insert the Emergency Key into the key-lock and turn the key anti-clockwise. This should enable you to turn the Door Knob clockwise allowing you to open the door.

**CAUTION:** For your total security, please take care of the Emergency Keys and keep them in one secret place away from the safe.



## POWER SUPPLY

Open the door using the instructions above. Insert 4 x AA batteries into the battery compartment located on the back panel of the door.

**CAUTION:** If the red light shows during use, it means that the batteries are low.

## PREPARATION

Please insert the batteries into the battery compartment following the instructions above. Turn the Door Handle anti-clockwise to close the safe and remove the Emergency Keys. The safe comes with a preset code of "1234" and you may now open the door by using this code then pressing the "Unlock Button". The safe does not come with any preset registered fingerprints, so you can now begin to set these up following the instructions below. The safe is capable of holding up to 20 fingerprints in total.

## FINGERPRINT REGISTRATION

With the door in the open position, press the Registration Button once, you will hear two audible beeps. The red light will show on the control panel signaling that it is time to place your finger on the Fingerprint Screen. Again you should hear two audible beeps. After approximately 2 seconds, a long audible tone follows a short one, signaling the successful Fingerprint registration. (Three successful short beeps means the registration has failed). Using the above method, you will now be able to input more fingerprints.

**CAUTION:** Maximum 20 fingerprints can be registered.

## SETTING USER CODE

With the door in the open position, press number key "1" for around 5 seconds until the green indicator light is on. Input the original code and press Unlock Button to confirm. After hearing one audible beep, input your NEW user code (4 to 8 digits) and press the Unlock Button. Input your NEW code again and press the Unlock Button once more. An audible tone will be heard signaling a successful User Code modification.

**CAUTION:** Factory preset code is 1234.

## TO UNLOCK THE SAFE

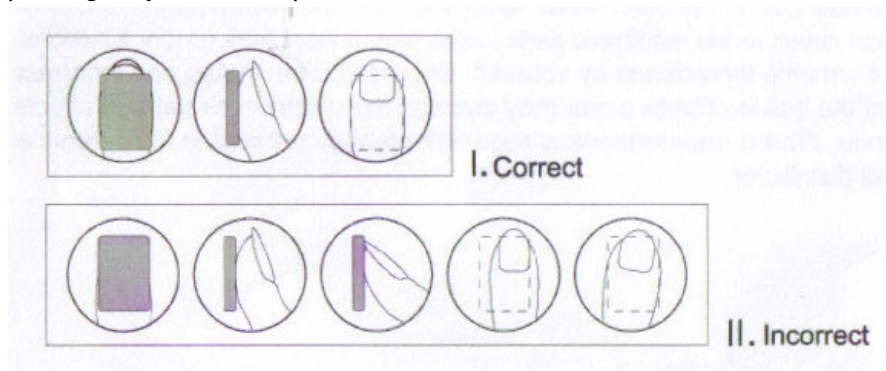
### Using Fingerprint Lock:

- Press the Unlock Button and the red light next to the Fingerprint Screen will illuminate. Place your finger onto the Fingerprint Screen until the red light is removed, a long audible tone is heard, and the green light is illuminated. You will hear the sound of the motor driving inside the safe, at which point you will be able to turn the Door Knob clockwise to unlock the safe successfully.

### Using the User Code:

Input your User Code (4 to 8 digits) and press the Unlock Button to confirm. A long audible tone will sound, the green light will illuminate and the sound of the motors driving inside the safe can be heard. At this point, you will be able to turn the Door Knob clockwise to successfully unlock the safe.

**CAUTION:** In order to improve the correct rate of finger identification, users can refer to the following advice: We suggest not using the Fingerprint Screen in bright light.; We suggest that each user registers 2-3 fingerprints.; We suggest that any children try to register with either a thumb or middle finger.; Try to press gently with even power.



## SYSTEM RESET / DELETION

Press the Registration Button for around 5 seconds, the green indicator light will then flash around 12 times. Once the green light has stopped flashing, please release the Registration Button. An audible tone will sound to indicate that all fingerprints recorded in the memory have been deleted and that the safe has returned to the factory original setting.

## IMPORTANT NOTES

Do not use liquid or a spray to clean the safe. Use a cloth instead.