

C-Series Mortice

3G114

5 Lever Mortice Deadlock



Application:

- For timber door hinged on the left or the right
- Keys are suitable for use on doors up to 50mm thick

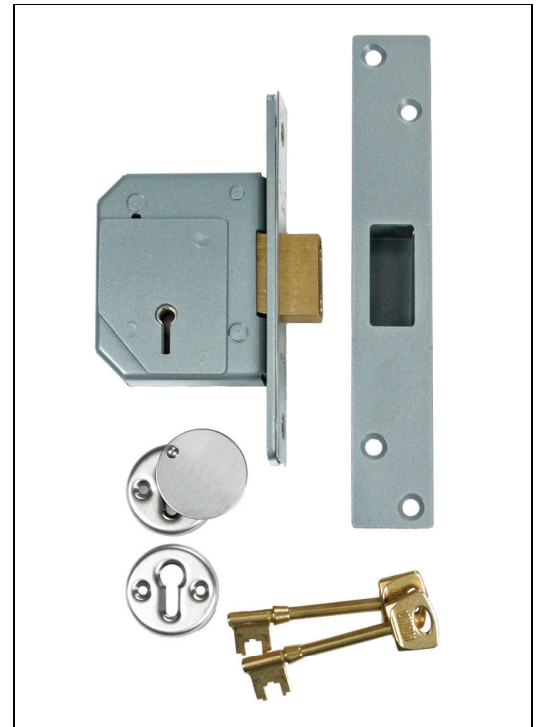
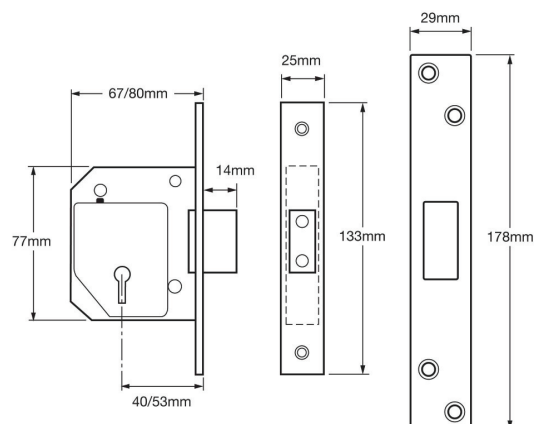
Specification:

- Deadbolt is locked or unlocked by key from either side
- Force resistant, anti drill, anti-pick and anti-saw security features
- Available with square forend and striking plate
- 14mm bolt throw
- Supplied with one plain escutcheon and one escutcheon with a cover plate, finished to match the faceplate/strike
- Case Size: 67mm or 80mm
- Backset: 40mm or 53mm
- Case: Silver powder coat
- Forend: Stainless steel or brass
- Box Strike Assembly: Painted to match forend
- Deadbolt: Brass, with hardened steel rollers
- Latch Bolt: na
- Follower: na
- Keying Groups: Standard differ or to pass. Not suitable for master keying
- Keys supplied: Standard differ supplied with 2 keys. For locks to pass please specify number of keys required
- Key Blank Number: B-K722
- Cut Key Number: B-5LC
- Rebate Kit: B-3G114R (13mm, 19mm and 25mm)
- Available in SC and PL finishes

Finish:

- SC - Satin Chrome finish
- PL- Polished Brass finish

Technical Design:



Standards:



C-Series Mortice

3G114

5 Lever Mortice Deadlock



ASSA ABLOY

Variants:

B-3G114-20-SC-8	20 X 5 Lever Mortice Deadlocks (20mm Bolt)
B-3G114-20-SC-8	20 X 5 Lever Mortice Deadlocks (20mm Bolt)
B-3G114-PL-67	5 Lever Mortice Deadlock (14mm)
B-3G114-PL-80	5 Lever Mortice Deadlock (14mm)
B-3G114-SC-67	5 Lever Mortice Deadlock (14mm)
B-3G114-SC-80	5 Lever Mortice Deadlock (14mm)
V-3G114E-PL-67	Deadlock (20mm Bolt)
V-3G114E-PL-80	Deadlock (20mm Bolt)
V-3G114E-SC-67	Deadlock (20mm Bolt)
V-3G114E-SC-80	Deadlock (20mm Bolt)