

The Essential Range

2600

Essential Tubular Latch



ASSA ABLOY

Application:

- For timber doors hinged on the left or right and requiring lever handle operation
- Not suitable for use with unsprung lever handles
- Durable nylon latch for quieter locking

Specification:

Supplied by UNION - your assurance of quality and reliability.

- Latch bolt withdrawn by sprung lever handle from either side
- Two way action
- Un-handed universal latch
- Single piece forend
- Matching forend and strike
- Square forend and striking plate
- Backset: 45mm, 57mm or 69mm
- Case: Steel, galvanised
- Forend: Zinc plated or brass finish
- Striking Plate: Finished to match forend
- Latch Bolt: Black, plastic construction

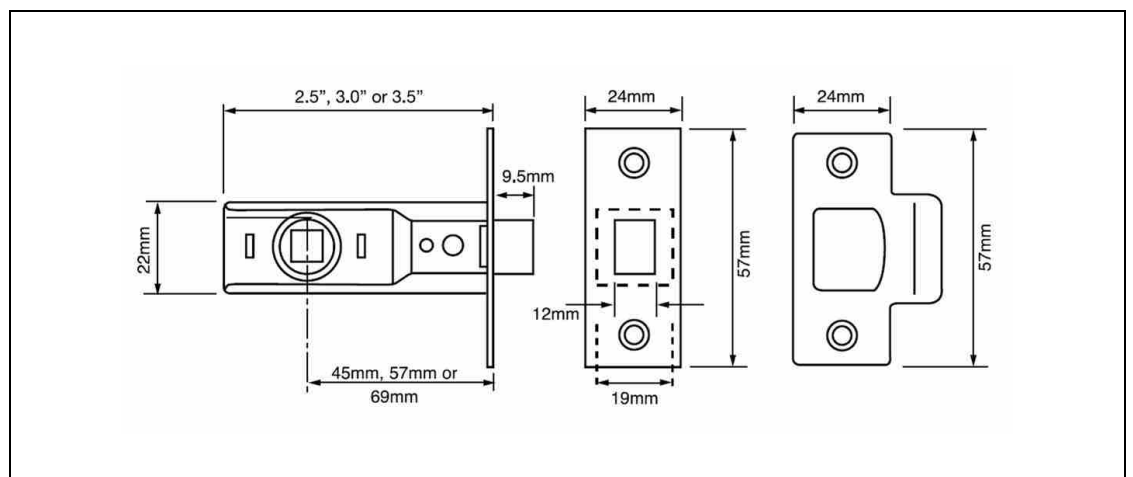
Finish:

- Brass finish
- Zinc plated

Variants:

J2600-ZP-2.5	Zinc plated, 2.5" case
J2600-ZP-3.0	Zinc plated, 3.0" case
J2600-ZP-3.5	Zinc plated, 3.5" case
J2600-PL-2.5	Brass colour, 2.5" case
J2600-PL-3.0	Brass colour, 3.0" case
J2600-PL-3.5	Brass colour, 3.5" case
Y2600-ZP-2.5	ESSENTIALS tubular latch - VISI PACK
Y2600-ZP-3.0	ESSENTIALS tubular latch - VISI PACK
Y2600-PL-2.5	ESSENTIALS tubular latch - VISI PACK

Technical Design:



Standards:

